

CARTONI

PROFESSIONAL CAMERA SUPPORT

FOCUS
12 ✓



CARTONI ® / All rights reserved ©

User Manual

Version: 2.0

Issue date: January 2016

CARTONI S.p.A.

Via di Portonaccio, 33/B
00159 - Rome (Italy)
phone. +39 06 4382002
fax. +39 06 43588293
email. cartoni@cartoni.com

www.cartoni.com

USER MANUAL

INDEX

1. Safety & Set up instructions
2. Operating elements
3. Procedures
4. Technical data
5. Maintenance
6. Warranty
7. Accessories & Product line

1. SAFETY & SET UP INSTRUCTIONS

The **FOCUS 12** ✓ Fluid Head is the ideal support for the latest smaller, lighter high-performance cameras weighing from 0 to 12 kg (0 to 26 lbs).

Extremely compact and lightweight, the innovative FOCUS 12 features a continuously variable fluid damping system on both pan and tilt movements and an unrivaled patented variable counterbalance which brings its range of use to cover all existing ENG and lighter high-performance cameras.

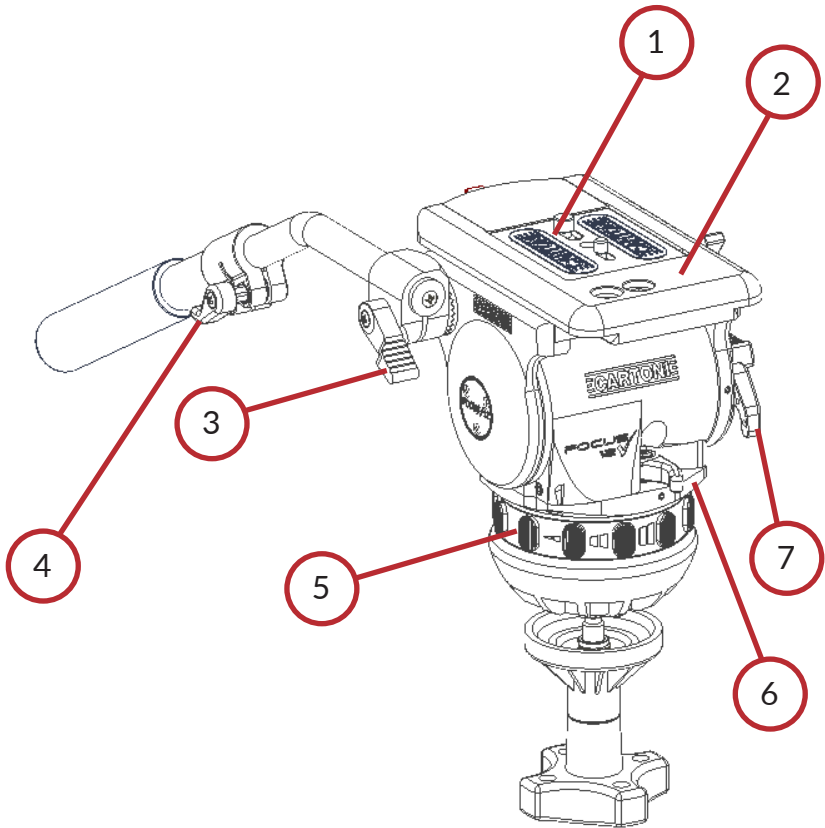
The FOCUS 12 head comes equipped with a sliding quick release European camera plate, illuminated spirit level and telescopic pan bar. Its tilting range is +/- 90° has a perfect response throughout the entire tilt range. This head interfaces with all 100 mm bowl base tripods and supports.

The extreme ruggedness and versatility together with a superior quality/price ratio make the FOCUS 12 the best possible support for news Operators and Videographers.

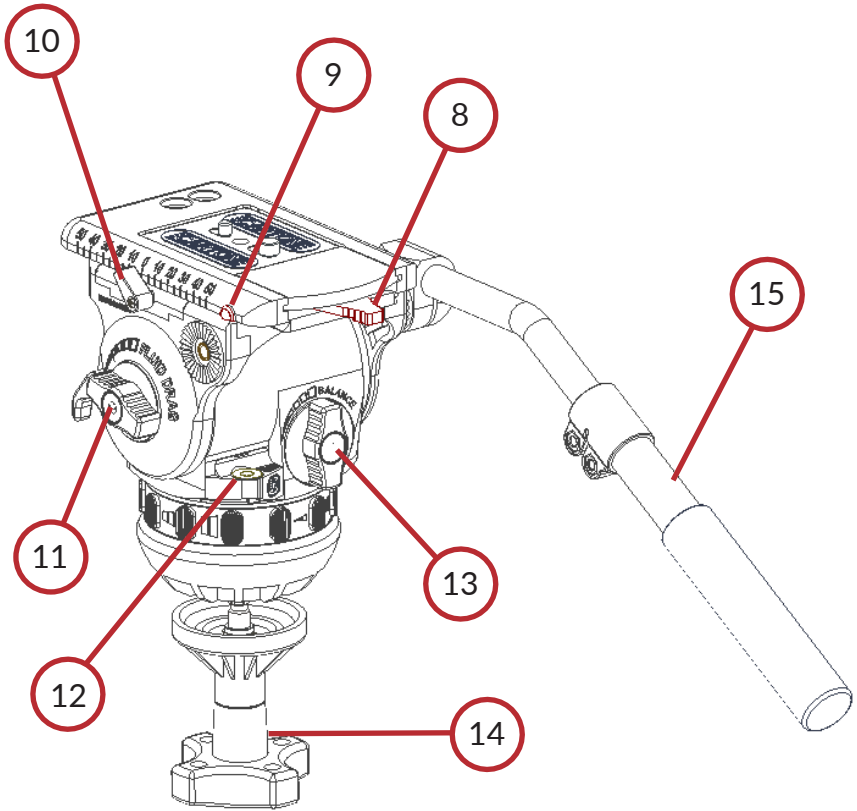
- Before using the product read this user manual.
- Before installing the Fluid Head on the Tripod check the Tripod stability.
- Verify that the camera payload (including lenses and accessories) is lower than the maximum capacity of the Fluid Head.
- Before installing the camera make sure that the Fluid Head is in good conditions and bears no evident damages.

2. OPERATING ELEMENTS

6



1. Camera plate
2. Sliding camera platform
3. Pan bar attachment
4. Pan bar extension
5. Pan drag selector
6. Pan brake lever
7. Tilt brake lever



- 8. Camera plate release lever
- 9. Safety button
- 10. Sliding platform lock
- 11. Tilt drag selector
- 12. Illuminated spirit level
- 13. Counterbalance selector
- 14. Tie down knob
- 15. Pan bar

3. PROCEDURES

- 1 - Place the FOCUS 12 on your tripod by loosening the tie-down knob (14) under the Fluid Head and level using the level bubble (12). In low light conditions, press button (12) for light.
- 2 - Connect the pan bar (15) to the Fluid Head tightening the lever (3) on the pan bar attachment and select your desired operating angle. The telescopic pan bar length can be adjusted via lever (4).
- 3 - Lock both pan and tilt brakes (6 & 7), turn both tilt drag selector (11) and counterbalance knob (13) to the minimum.
- 4 - Open completely the camera plate lock lever (8) to release the camera plate (1).
- 5 - Remove the Camera plate (1) from the sliding camera platform (2) by squeezing simultaneously camera plate lever (8) and the safety button (9). Attach the camera plate (1) to the bottom of the camera and tighten the clamping screw to secure the camera. Try to center the camera plate on the camera, keeping the center of gravity position in mind.
- 6 - Lock the sliding platform lever (10), click the camera into the quick release sliding platform (2), the plate will lock into place.
- 7 - Hold the camera in horizontal position with the pan bar (15) and release the tilt brake lever (7). Release the sliding platform lever (10) and find the correct center of gravity position, by sliding the camera platform (2) back and forth until you have achieved the correct balance. Lock the sliding platform lock (10).

4. TECHNICAL DATA

Minimum Payload Capacity	0 kg
Maximum Payload Capacity	12 kg / 26 lbs
Weight	2.5 kg / 5.5 lbs
Pan Range	360°
Tilt Range	+/-90°
Counterbalance	Continuous
Fluid Drag	Continuous
Bowl Diameter	100 mm
Temperature Range	-40°/+60°

5. MAINTENANCE

With indoor use - when needed - just clean the FOCUS 12 and tripod with a soft cloth. Dirt accumulated during storage may be removed using a brush or Air spray.

CARTONI products main mechanisms are sealed as they are also built for professional outdoor use.

However, use under rough conditions will require special care: salt water is very corrosive and can cause extreme damages. In attempt to avoid further damage the Fluid Head should be washed off with fresh water at the earliest opportunity and dried before storage.

Sand and dirt are abrasive and should be removed using a semi-stiff brush or Air spray.

Disconnect spirit level battery during long term storage.

6. WARRANTY

All CARTONI Fluid Heads & Pedestals have a free of charge three (3) year warranty. Register your product at www.cartoni.com within 30 days from date of first purchase/invoice to receive further two (2) year warranty for the unsurpassed free five (5) year warranty.

Tripods, spreaders, dollies and all accessories are guaranteed one (1) year from the date of first purchase/invoice.

CARTONI warrant that the product supplied will - under proper use - be free from defects in workmanship and materials and agrees that it will, at its option, either repair or replace any defective part within duration of warranty from date of first purchase with no labour charge.

This warranty does not apply to any CARTONI product that has been damaged in shipping or handling, abused, misused, operated contrary to instructions for use, neglected, normal wear or tear, modified or changed in design or construction or serviced by unauthorized parties.

Repairs or misuse by any unauthorized parties will void this warranty.

Warranty claims must be submitted – in writing - to the factory for verification or to an authorized distributor/dealer designated by CARTONI.

It is the end user's responsibility when ordering to ensure that the products ordered conform to his requirements.

All freight of product to CARTONI must be prepaid. All implied warranties are limited to the time period set forth herein & subject to change without notice. No liability can be accepted for any variation.

7. ACCESSORIES & PRODUCT LINE

For the complete Accessories list & Product line please visit CARTONI's official website www.cartoni.com.

Every product has an updated list of compatible items sorted by groups, with descriptions and technical data.

≡CARTONI≡

*SUPPORTS
YOUR
VISION*

CARTONI

www.cartoni.com