

DLH200DT Sundance Daylight / Tungsten Light Head

The DLH200DT employs our patented double Aspherics² optical system in combination with a zoom focus system. Clearly defined "clean beam", no stray light. It can be converted to tungsten by change of lamp. The tungsten ceramic lamp has four times the light output of traditional tungsten lamps.

Versatility: All projection attachments and accessories of the dedolight 100/150 classic series are compatible with the DLH200DT.



DLH200SDT Sundance Daylight / Tungsten Soft Light

Single function light head exclusively for use with four different types of soft boxes and PanAura®/Octodome 3 (DSBOCTS). Since the actual light source is placed in the focal center of the soft box, the light output is approximately two times the light output in comparison to a soft box mounted on the front of a Fresnel light.

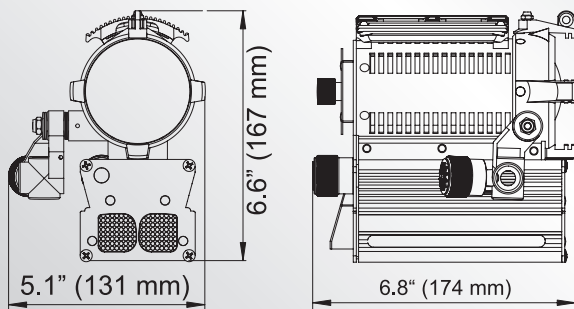
A hot spot is normally encountered when using a soft box on a Fresnel light. The light distribution of the DLH200SDT with all the mentioned soft boxes is perfectly even and homogenous.

Technical Data: DLH200DT

Focus Angle:	48°-4.5°
Focus Intensity:	1 : 14
Weight:	1300g (2.8 lbs)
Lamp:	DL200DHR-NB daylight, DL200THR-NB tungsten ceramic
Dimming:	200W-100W (daylight) 200W-125W (tungsten ceramic) (no noticeable change in color)
Safety:	IP23 – rainproof
UV:	Double UV Protection,

LOWEST UV CONTENT OF ANY COMPARABLE LIGHT SOURCE.

Cable:	DPOW200DT, 7 m (23')
Mounting:	16 mm (5/8") receptacle



For packing see page 37 ("Soft light packing"). For compatibility with soft boxes/domes from dedoflex and other manufacturers see page 88.

Technical Data: DLH200SDT

Weight:	1500g (3.3 lbs)
Lamp:	DL200DHR-NB daylight, DL200THR-NB tungsten ceramic
Dimming:	200W-100W (daylight) 200W-125W (tungsten ceramic) (no noticeable change in color)
UV:	Double UV protection
Cable:	DPOW200DT, 7 m (23')
Mounting:	16 mm (5/8") receptacle

